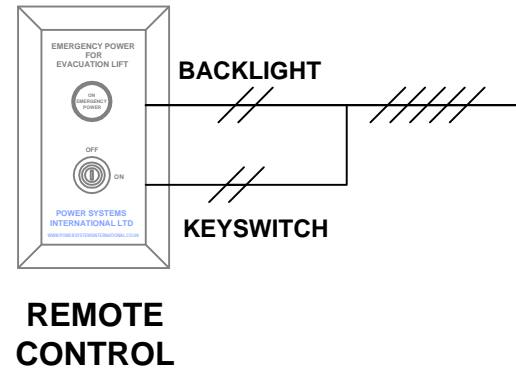


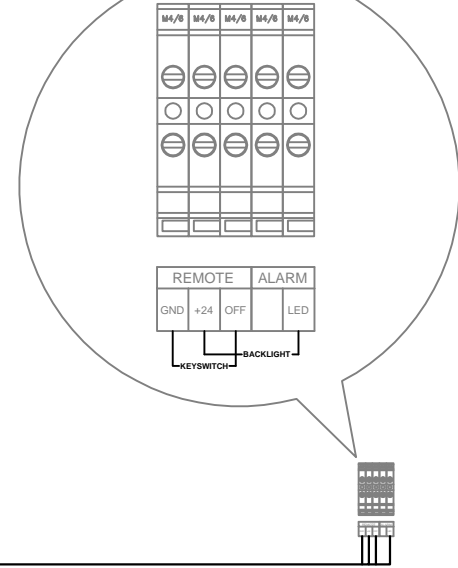
DRAWING NUMBER
EPS20T CONNECTION DIAGRAM

DRAWING REVISION					
ISSUE	DESCRIPTION	DRAWN	DATE	CHECKED	DATE
1	INITIAL ISSUE	JM	110621	KB	110622
2	REV 1	JM	110632	WA	110623
3					
4					
5					

EPS20-T EMERGENCY POWER SYSTEM



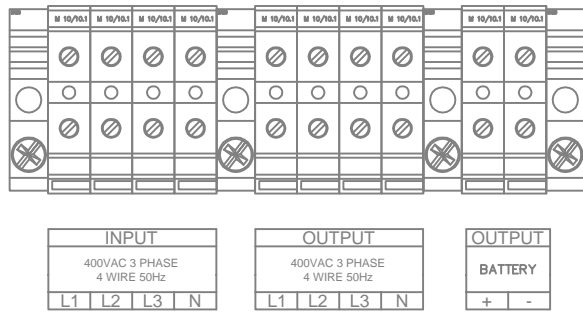
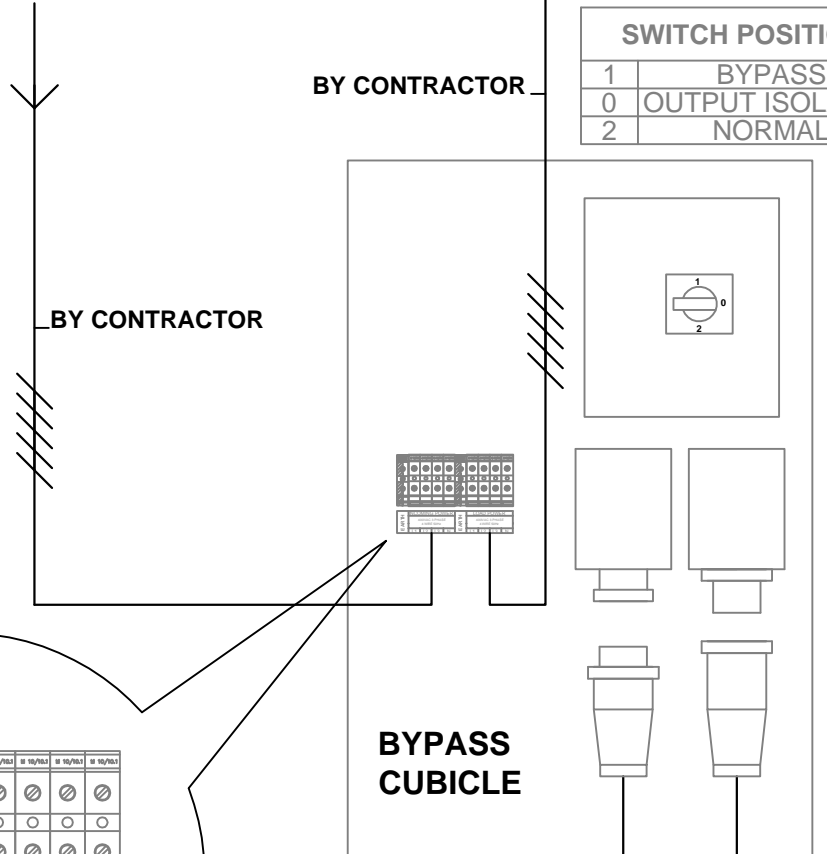
BY CONTRACTOR
(CONTROL CABLE 24VDC)



FROM MAIN
DISTRIBUTION
BOARD

TO LIFT
TRACTION
SYSTEM

SWITCH POSITION	
1	BYPASS
0	OUTPUT ISOLATED
2	NORMAL



INPUT / OUTPUT TERMINALS
CABLES AND PLUGS / SOCKETS
SUPPLIED WITH SYSTEM

INTERNAL BATTERY



CABLE SUPPLIED (WITH PLUG)

CABLE SUPPLIED (WITH SOCKET)



POWER SYSTEMS INTERNATIONAL

TITLE
EPS20T EMERGENCY POWER SYSTEM FOR EMERGENCY
EVACUATION LIFTS

SHEET No 1 OF 1
PSI-2011-4028
HPS/2011/HCP/BPW/E11-10058